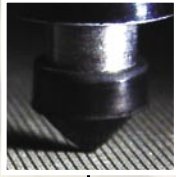


the **new** world of
advanced packaging



DS11000 LED Sorting

LED Sorting at 11,000 per hour

The Laurier DS11000 system is an optimized platform for sorting LED wafers to tape frame. Automatically sort up to 37 bins with vision inspection and die track mapping.

- Pick and place from wafer to tape frame at 11,000 uph*
- Separate up to 37 bins with a single cassette or 148 bins with multi-cassette option
- Placement accuracy of +/- 37 μ m at 3 sigma
- LED's from 200 μ m to 1 mm square
- Adaptive map correlation
- Output frame with die track map
- Auto align whole and partial wafers
- Vision inspection of LED before pick and after placement
- Windows XP



*Pick and place rates vary by application and sort distribution

member of Besi group

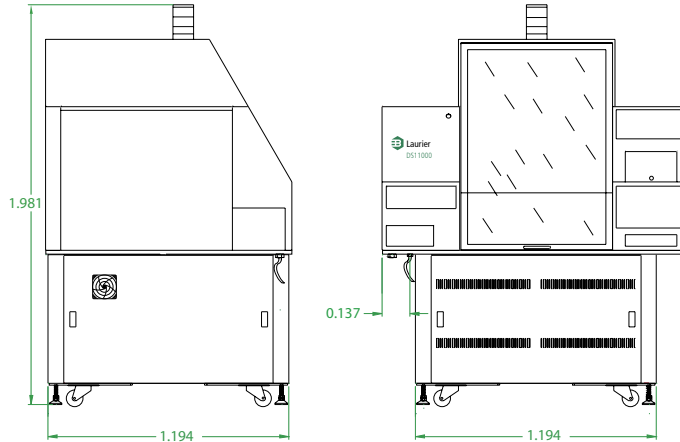


Laurier

the **new** world of
advanced packaging



LED Sorter



Technical Specifications DS11000

Mapping

Fiducial scan
Auto pitch correction
Row/column and array formats

Throughput

11,800 UPH sprint rate
11,000 typical for 8 bins
10,000 typical for 24 bins

Inspection

Doublet reject before pick
Edge chip
Place position X, Y, Ø

Placement Accuracy

+/- 37 µm @ 3 sigma
+/- 1 degree theta

Die Size

0.2mm to 1mm
Auto Zoom

Cassette Input

25 slot, 3/16 inch pitch
Frames 5 & 6 inch

Single Cassette Output

25 to 37 slot, 3/16 inch pitch
Frames 5 & 6 inch

Multi-cassette Output 148 bin Offload

Five 25 slot or Four 37 slot cassettes

Electrical

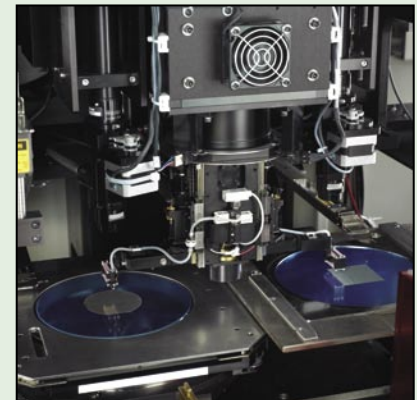
208/220/230/430 VAC single phase
3KVA

Pneumatic

5.8-7.5 Bar (85 to 120 PSI) Clean Dry Air
140 L/minute (5 SCFM)

Network

Ethernet or SECS, TCP/IP, RS232



Weight

1130 kg (2500lbs.)

SALES OFFICES AND AGENTS

USA Headquarters: Laurier, Inc. Tel: +1 603 206 4800, Email: sales@laurierinc.com ■ Singapore: Besi Singapore Pte. Ltd., Tel: +65-67430-600, E-mail: info.dcap@datacon.at ■ Philippines: Datacon Philippines, Inc., Tel: +63 2 772 40-4243, E-Mail: aramis.inocando@datacon.at ■ Taiwan: Besi Singapore Pte. Ltd. / Taiwan Branch Tel: +886 3 515 3488, E-Mail: eric.kuo@datacon.at ■ South Korea: Datacon Korea Ltd. Tel: +82 2 449 5725, E-Mail: jk.park@datacon.at ■ China: Besi Shanghai R.O. Tel: +86 21 6272 1547, E-mail: hong-hai.shu@datacon.at ■ Thailand and Malaysia: Datacon Asia Pacific Pte. Ltd. Tel: +6012-4112255, E-Mail: lee.mj@datacon.at ■ Europe: Datacon Technology GmbH, Tel: +43-5337-600 230, E-Mail: thomas.leitner@datacon.at

Laurier Inc.

10 Tinker Avenue, Londonderry, New Hampshire 03053 USA
Tel: (603) 626-4700 ■ Fax: (603) 626-4242 ■ sales@laurierinc.com ■ www.laurierinc.com

Laurier, Inc. is a Product Division of BE Semiconductor Industries N.V., which is publicly listed at NASDAQ (USA) and the Amsterdam (The Netherlands) Stock Exchange as BESI. Website: www.besi.com

member of Besi group

