

the **new** world of
advanced packaging



JTF2 JEDEC TrayStak[®] Feeder

Load or unload stacks full of product without interrupting production

The Laurier JTF2 is the automation solution for JEDEC tray feeding. Load and unload stacks of up to 20 thick or 30 thin JEDEC standard trays without interrupting the assembly equipment.

- Dramatically increase throughput by automatically delivering trays non-stop
- Low cost of ownership
- Tray exchange in less than 5 seconds*
- Compact footprint – occupies less than 162mm of feeder rail space
- Microprocessor controlled
- CE approved



Easily integrate with your machine

- SMT Assembly Equipment
- Singulation Equipment
- Device Programmers
- Test Handlers
- Die Bonders
- Inspection Equipment
- Custom Automation

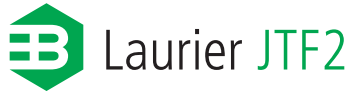
* Exchange times vary with conveyor length and application.

member of Besi group

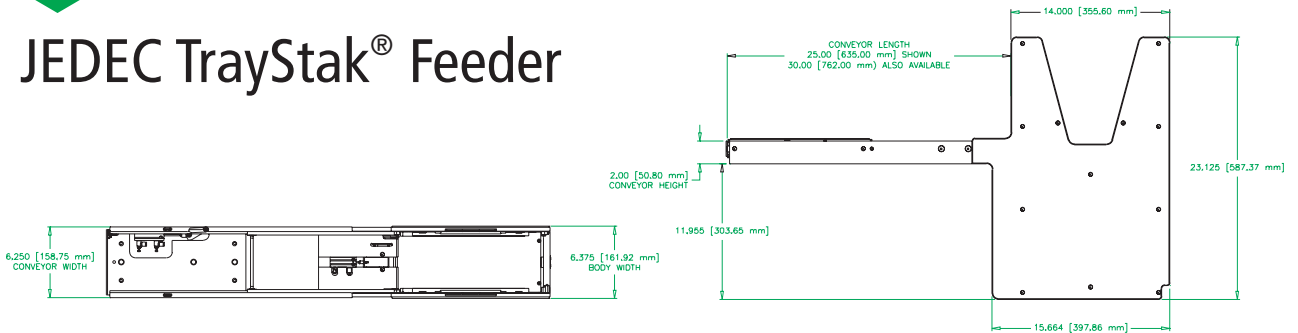


Laurier

the **new** world of
advanced packaging



JEDEC TrayStak[®] Feeder



Technical Specifications JTF2

Capacity

20 thick or 30 thin JEDEC trays
(Standards 95-1 & IEC 60286-5)

Speed

Tray exchange < 5 seconds for most applications

Position Accuracy

Edge of tray repeatable to 0.05mm

Flexibility

Microprocessor controlled
Adjustable conveyor speed
Switch selectable thick/thin tray changeover

Standards Compliance

SEMI S2 & S8
NFPA 70 & 79
CE

Electrical

24 VDC +/- 10%
2 Amps (Peak), .4 Amps (normal operation)

Communication Signals

Several communication methods available
5, 12 or 24 VDC (sink or source)

Pneumatic

4.1 - 5.5 Bars (60-80 PSI)
< 28.3 Nliters/minute (1 SCFM)

Weight

22.7 Kg (50lbs.)

Environment

10 - 35°C
10-95% R.H.



SALES OFFICES AND AGENTS

Direct sales of feeders already integrated:
WORLDWIDE - Hover Davis, Tel: 1-585-352-9590, Sales@hoverdavis.com, www.hoverdavis.com



For custom OEM integrations contact:
USA / ASIA: Laurier, Inc., Tel: 603-206-4800, E-mail: sales@laurierinc.com
EUROPE - Quasys, Tel: + 41-41-740-2060, E-mail: sales@quasys.ch

Laurier Inc.

10 Tinker Avenue, Londonderry, New Hampshire 03053 USA
Tel: (603) 626-4700 ■ Fax: (603) 626-4242 ■ sales@laurierinc.com ■ www.laurierinc.com

Laurier, Inc. is a Product Division of BE Semiconductor Industries N.V., which is publicly listed at NASDAQ (USA) and the Amsterdam (The Netherlands) Stock Exchange as BESI. Website: www.besi.com

member of Besi group

